

LONFTT Module

LONFTT-Extension for Smart Manager 4.0

Art. No.: 095410



■ Article description

The LONFTT extension for the Smart Manager 4.0 offers you a fast and flexible solution to access LonWorks® TP/FT-10 networks.

Thanks to the innovative STV mounting rail bus, the LONFTT module can be directly attached to the Smart Manager. This ensures a compact design and minimises the wiring effort.



Image similar

Communication to the Smart Manager takes place internally via the STV mounting rail bus. The serial interface can be selected on the LONFTT module. Two extensions may be connected.

The serial interface can be selected with a switch on the LONFTT module, so that two extensions (LON-PLT, LON-FTT) can be combined as desired.

The service is operated contactless, magnetically, on the upper part of the housing (see symbol for magnet). The service LED can be switched off on command.

The configuration and evaluation of the data is done via an API on the Smart Manager. Standardised LonMark® objects simplify the connection.

■ Characteristics

- Supply voltage: via STV mounting rail bus 24 V_{DC (nom.)}
- Configuration: Selection of the serial interface with switch S1/S2
Magnetic service contact
- Processor: Echelon FT 5000 Smart Transceiver
- Displays: PKD (package detect), flashing yellow
Service, yellow flashing / glowing
can be switched off by GPIO (IO3) using command, 0xCx, „nilO_SET“
(IO3 High →Service LED off), (IO3 Low →Service LED active)
- Connection: Spring clamp for the TP/FT-10 network
Power supply and serial communication via STV mounting rail bus
- Applications: Wide range of applications from mechanical engineering and industrial automation to home and building automation with standardised communication.
- Availability: 10 years (compatible device version)

LONFTT Module

LONFTT-Extension for Smart Manager 4.0

Art. No.: 095410



■ Technical Data

➤ Power supply:

Supply voltage	STV-mounting rail bus 24 V _{DC} / 5 V _{DC}
Supply voltage range	+20 V _{DC} (min.) bis +28 V _{DC} (max.) +4,7 V _{DC} (min.) bis +5,3 V _{VDC} (max.)
Stromaufnahme bei Versorgungsnennspannung ohne Lastströme	ca. 15 mA

➤ Communication:

Interface STV-mounting rail bus	Serial, 115.200 Bd, 8n1
Network LonWorks (ANSI/CEA-709.1)	TP/FT-10 (free topology twisted pair, ISO/IEC 14908-2) channel
Protection of interface	Galvanic isolation fieldbus, ESD protection by TVS diodes

➤ Connection data:

Connection type	Push-in spring connection
Type of operation	pusher
Conductor cross-section of solid conductors	0,25 .. 0,75 mm ² / 24 .. 19 AWG
Conductor cross-section of fine-stranded conductors	0,25 .. 0,75 mm ² / 24 .. 19 AWG
Conductor cross-section of fine-stranded conductors with sleeve	0,25 .. 0,5 mm ² / 24 .. 20 AWG
Stripping length	9 mm

■ Environmental conditions

Ambient temperature (storage)	-40 °C to +65 °C
Ambient temperature (mounting)	-5 °C to +65 °C
Ambient temperature (operating)	-40 °C to +55 °C
Relative humidity (without condensation)	93 %

LONFTT Module

LONFTT-Extension for Smart Manager 4.0

Art. No.: 095410



■ Housing data

Type of housing	Installation housing according to DIN 43880
Housing material	Plastic, polycarbonate
Colour	Light grey (RAL 7035) Black (RAL 9005)
Flammability category	V0 according to UL 94
Protection class	IP 20
Mounting	Mounting rail 35 according to DIN EN 50022
Mounting position	parallel to mounting rail

■ Standards and regulations

Conformity marking	CE
EMC noise immunity	acc. to DIN EN 55024
EMC radiated emissions	acc. to DIN EN 55032
Electromagnetic compatibility	acc. to DIN EN IEC 61000-6-2

LONFTT Module

LONFTT-Extension for Smart Manager 4.0

Art. No.: 095410



Terminal assignment



STV-mounting rail bus							
Function	Pin	Pin	Function				
+24V	1	2	+5V				
GND	3	4	GND				
TxD2 (Serial 1)	5	6	RxD2 (Serial 1)				
	7	8	TxD3 (Serial 2)				
RxD3 (Serial 2)	9	10					
	11	12					
	13	14					
	15	16	BUS_EN				
<table border="1"> <tr> <td style="background-color: #cccccc;">Power</td> <td style="background-color: #90ee90;">Input</td> <td style="background-color: #ffa500;">Output</td> <td style="background-color: #add8e6;">Serial</td> </tr> </table>				Power	Input	Output	Serial
Power	Input	Output	Serial				

Fieldbus (bus)			
Function	Pin	Pin	Function
FT A	A	B	FT B

Image similar

LONFTT Module

LONFTT-Extension for Smart Manager 4.0

Art. No.: 095410



■ Physical Data

Width	36,0 mm
Height	89,7 mm
Depth (device)	60,7 mm
Depth (with mounting rail)	62,2 mm
Weight	approx. 80 g

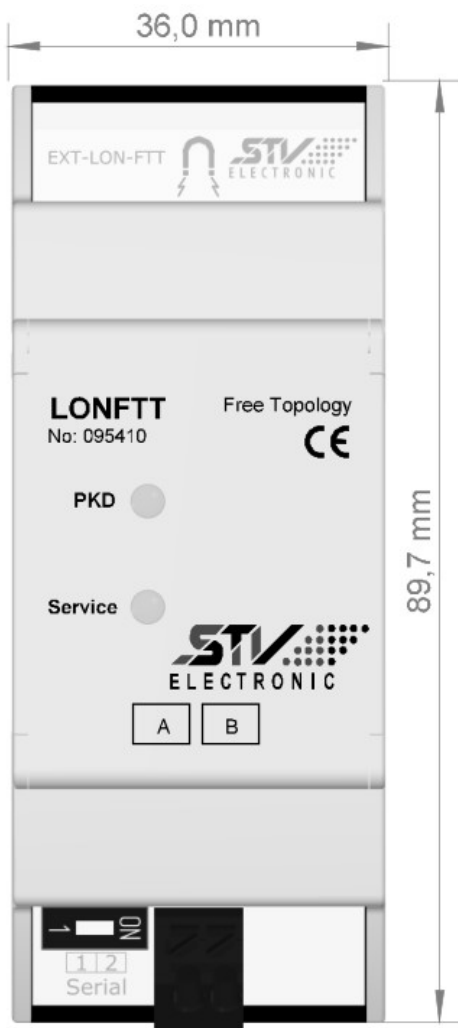
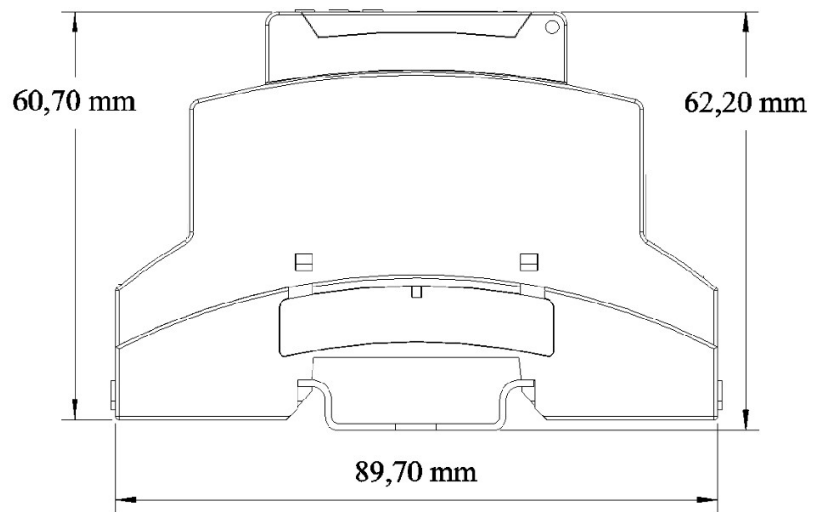


Image similar

View from the top



Schematical left side