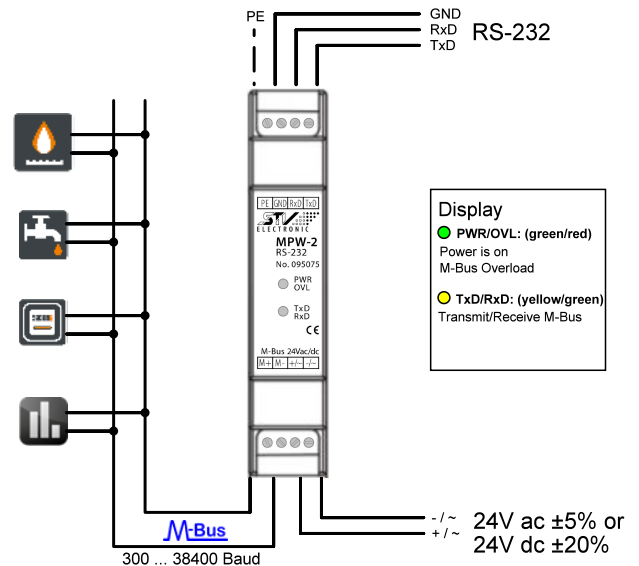
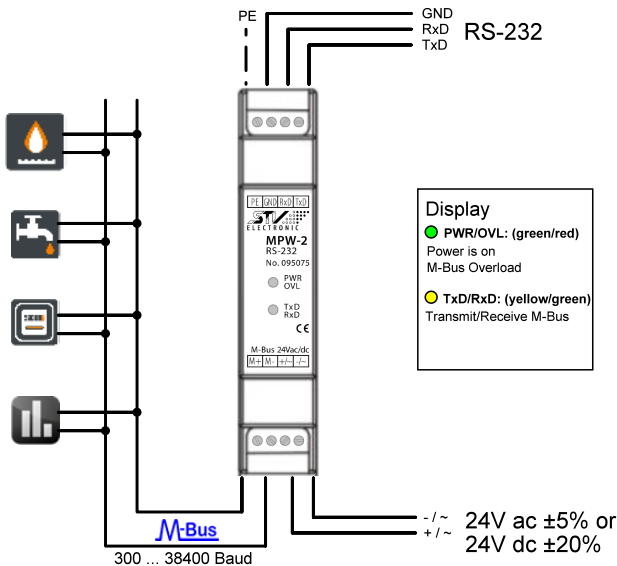


Supply voltage:	24 V ac ±5% / 24V dc ±20%
M-Bus-Voltage:	37 V
max. M-Bus idle current:	3 mA (2 Standard-loads)
Excess current treshold:	30 mA
Electrical isolation:	between RS232 und M-Bus
Transfer rate:	300 ... 38400 Baud
Operating Temperature:	-10 ... 50 °C
Relative humidity:	0 ... 90 % (non-condensing)
Degree of protection / weight:	IP 20 / appr. 72 g
Dimensions (L x W X H):	18 x 90 x 57 mm (1 SE)

Supply voltage:	24 V ac ±5% / 24V dc ±20%
M-Bus-Voltage:	37 V
max. M-Bus idle current:	3 mA (2 Standard-loads)
Excess current treshold:	30 mA
Electrical isolation:	between RS232 und M-Bus
Transfer rate:	300 ... 38400 Baud
Operating Temperature:	-10 ... 50 °C
Relative humidity:	0 ... 90 % (non-condensing)
Degree of protection / weight:	IP 20 / appr. 72 g
Dimensions (L x W X H):	18 x 90 x 57 mm (1 SE)



Supply voltage:	24 V ac ±5% / 24V dc ±20%
M-Bus-Voltage:	37 V
max. M-Bus idle current:	3 mA (2 Standard-loads)
Excess current treshold:	30 mA
Electrical isolation:	between RS232 und M-Bus
Transfer rate:	300 ... 38400 Baud
Operating Temperature:	-10 ... 50 °C
Relative humidity:	0 ... 90 % (non-condensing)
Degree of protection / weight:	IP 20 / appr. 72 g
Dimensions (L x W X H):	18 x 90 x 57 mm (1 SE)

Supply voltage:	24 V ac ±5% / 24V dc ±20%
M-Bus-Voltage:	37 V
max. M-Bus idle current:	3 mA (2 Standard-loads)
Excess current treshold:	30 mA
Electrical isolation:	between RS232 und M-Bus
Transfer rate:	300 ... 38400 Baud
Operating Temperature:	-10 ... 50 °C
Relative humidity:	0 ... 90 % (non-condensing)
Degree of protection / weight:	IP 20 / appr. 72 g
Dimensions (L x W X H):	18 x 90 x 57 mm (1 SE)